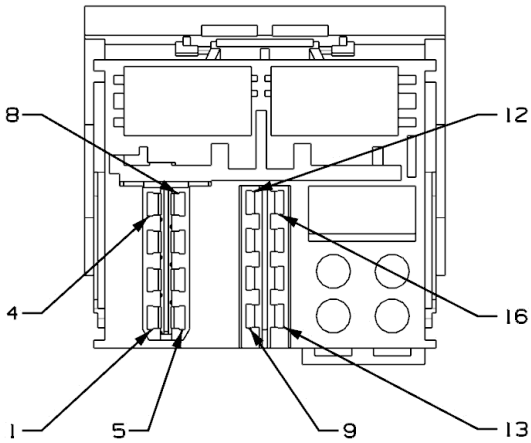


RADIO C1

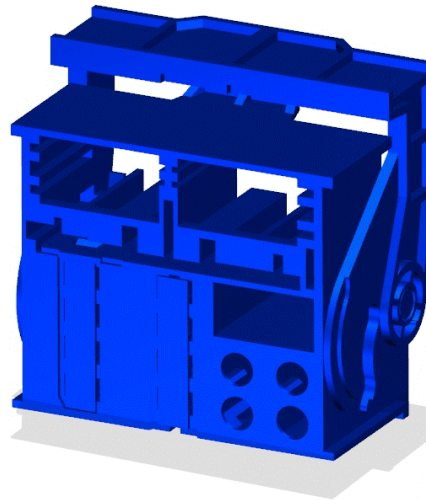
Harness Family: IP
Color: BLACK
Gender: MALE
Part Number: 1/10565/07
Part Description:
Connector No: D2784A
Option: Standard

Repair Kit Part Number:
Cavity Count: 16
Available Views: Location View

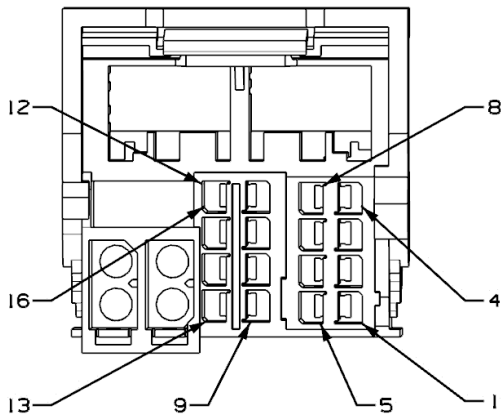
Mating Side:



Isometric View:



Wire Insertion Side:



NOTE: When connector cavities are identified as "NO CONNECT" in the following table, there may be "Dummy (blunt cut) wires" or Cavities may be "Open", "Plugged, or "Flashed over" depending on vehicle option content.

Pin	Circuit	Wire Color	Gauge/Size	Function	Option
1	X304	GN	0.75	AMPLIFIED RIGHT REAR SPEAKER (+)	PREMIUM/PREMIUM 2
1	X304	GN	0.75	AMPLIFIED RIGHT REAR SPEAKER (+)	BASE
2	X208	VT	0.75	RIGHT FRONT SPEAKER (+)	BASE
2	X208	VT	0.75	RIGHT FRONT SPEAKER (+)	PREMIUM/PREMIUM 2
3	X209	YE	0.75	LEFT FRONT SPEAKER (+)	BASE

Pin	Circuit	Wire Color	Gauge/Size	Function	Option
3	X209	YE	0.75	LEFT FRONT SPEAKER (+)	PREMIUM/PREMIUM 2
4	X303	OG	0.75	AMPLIFIED LEFT REAR SPEAKER (+)	BASE
4	X303	OG	0.75	AMPLIFIED LEFT REAR SPEAKER (+)	PREMIUM/PREMIUM 2
5	X394	GN/BK	0.75	AMPLIFIED RIGHT REAR SPEAKER (-)	PREMIUM/PREMIUM 2
5	X394	GN/BK	0.75	AMPLIFIED RIGHT REAR SPEAKER (-)	BASE
6	X298	VT/OG	0.75	RIGHT FRONT SPEAKER (-)	PREMIUM/PREMIUM 2
6	X298	VT/OG	0.75	RIGHT FRONT SPEAKER (-)	BASE
7	X299	YE/BK	0.75	LEFT FRONT SPEAKER (-)	PREMIUM/PREMIUM 2
7	X299	YE/BK	0.75	LEFT FRONT SPEAKER (-)	BASE
8	X393	OG/BK	0.75	AMPLIFIED LEFT REAR SPEAKER (-)	PREMIUM/PREMIUM 2
8	X393	OG/BK	0.75	AMPLIFIED LEFT REAR SPEAKER (-)	BASE
9	D158	WH	0.35	CAN IHS (-)	
11	D157	DB	0.35	CAN IHS (+)	
12	Z908	BK	1.5	GROUND	
15	A901	RD/WH	1.5	FUSED B(+)	