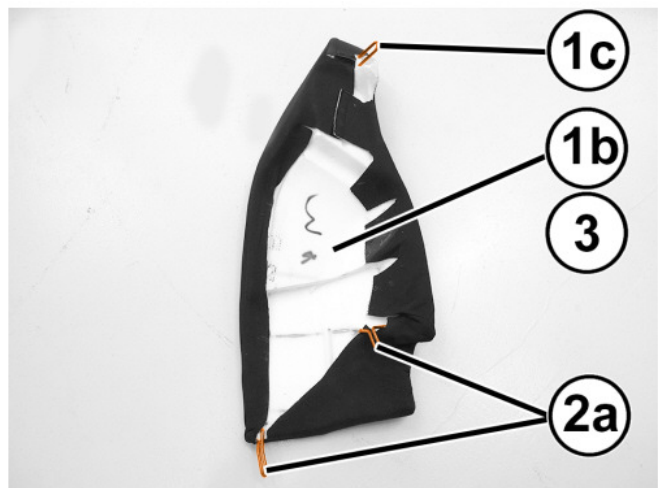
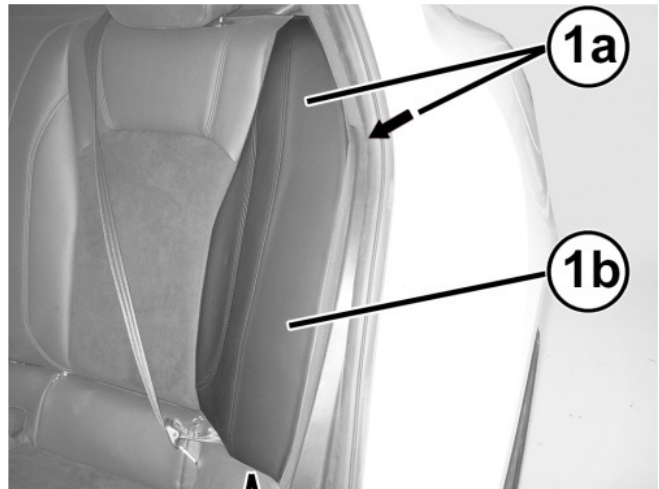


23 - Body/Seats, Rear/BOLSTER, Seat/Removal and Installation

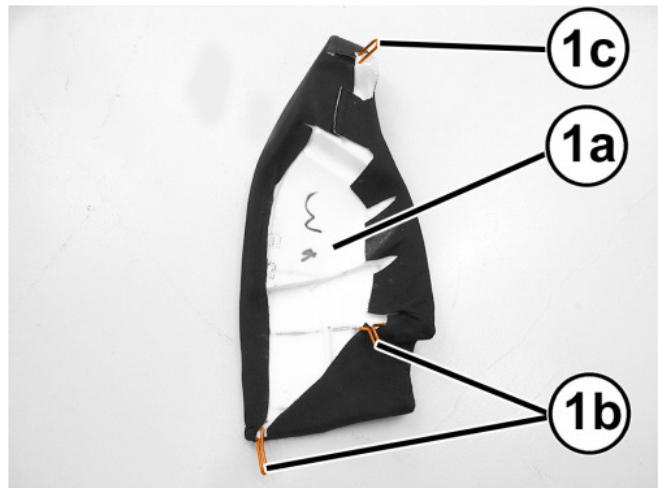
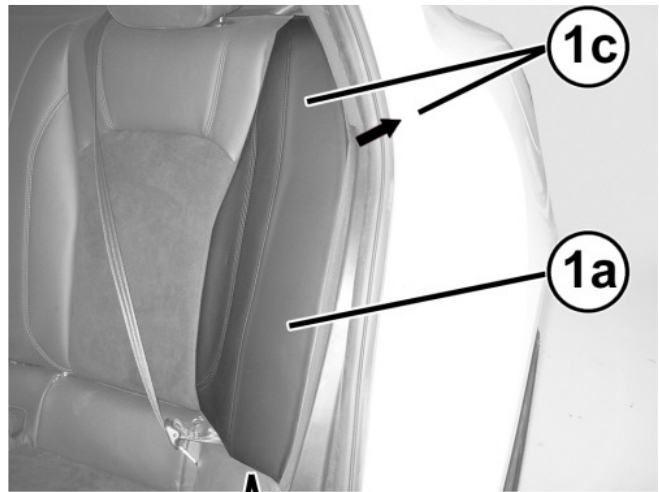
REMOVAL

1. Grab the top of the rear seat bolster (1a) and pull forward to release the top hook (1c), then lift to remove.



INSTALLATION

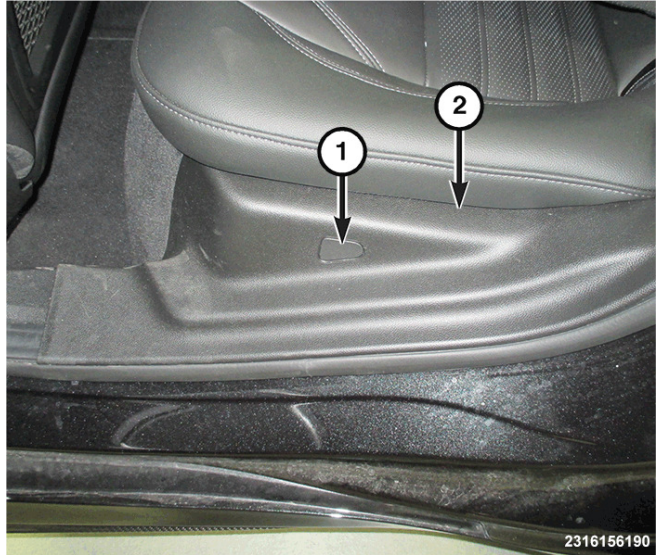
1. Install the lower hooks (1b) into the body, then engage the top hook (1c).



23 - Body/Seats, Rear/BOLSTER, Seat/Removal and Installation

REMOVAL

1. Remove the screw cover (1), then the screw from the rear door scuff plate (2).

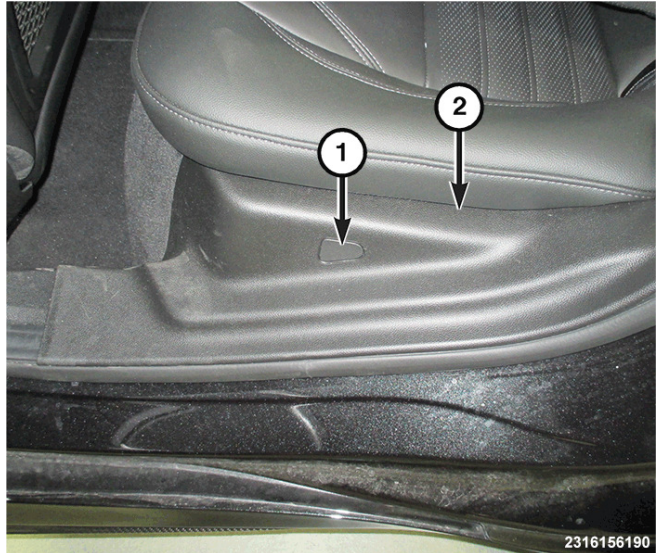


2. Remove the nut (1) at the top of the rear door scuff plate (2).
3. Using a trim stick or equivalent, release the retaining clips and remove the rear door scuff plate (2).



INSTALLATION

1. Install the rear door scuff plate (2).
2. Install the screw and the screw cover (1).



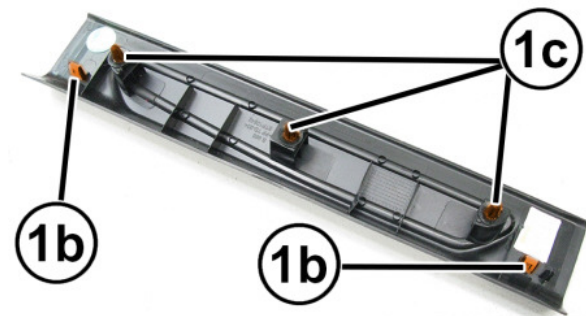
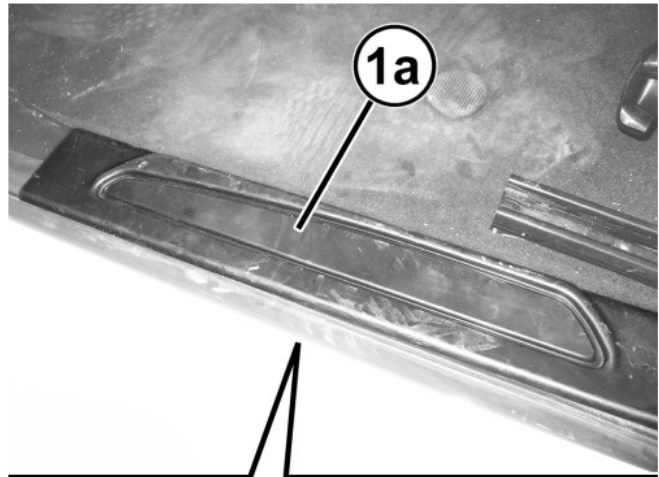
3. Install the nut (1) and tighten it securely.



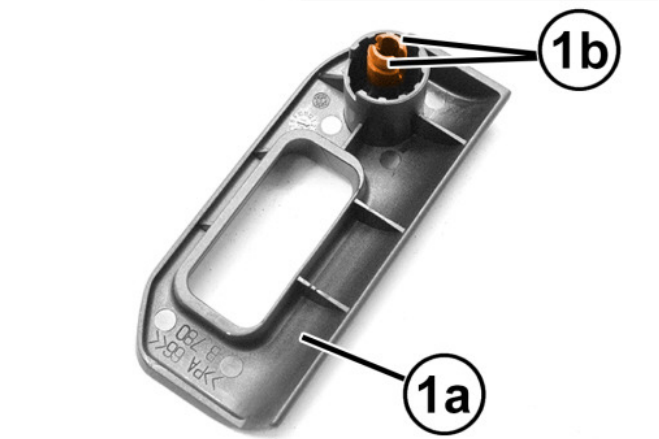
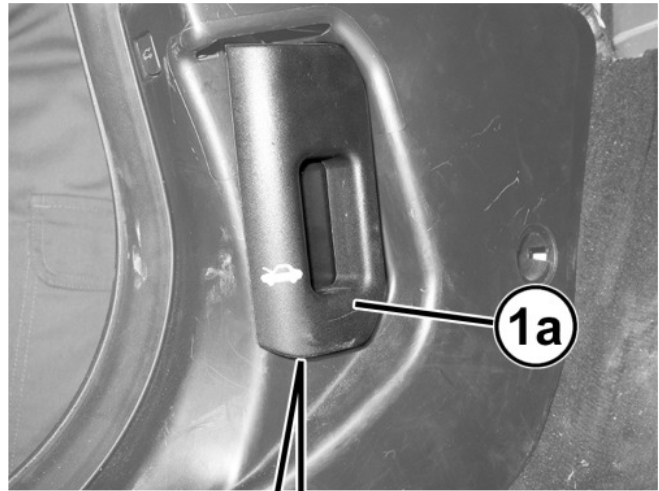
23 - Body/Interior/PANEL, Cowl Trim/Removal and Installation

REMOVAL

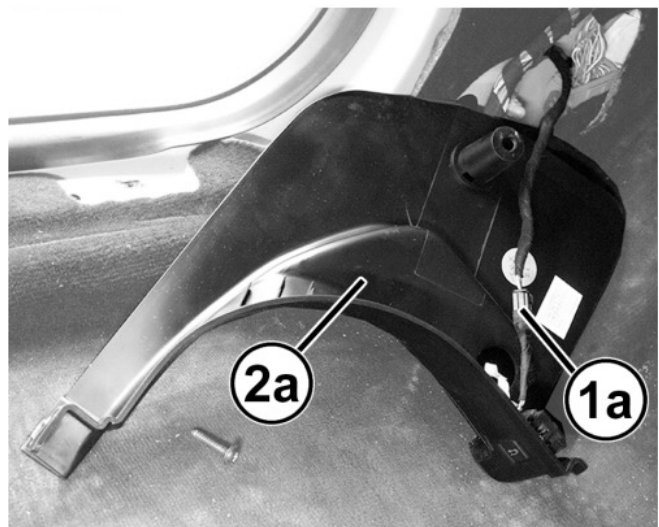
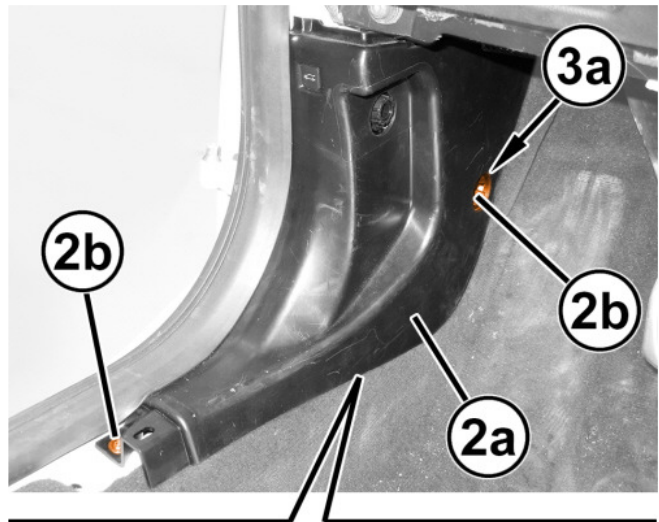
1. Using a trim stick remove the front door sill scuff plate (1a).



- Using a hook tool to release the clip (1b), then remove the hood release lever (1a).



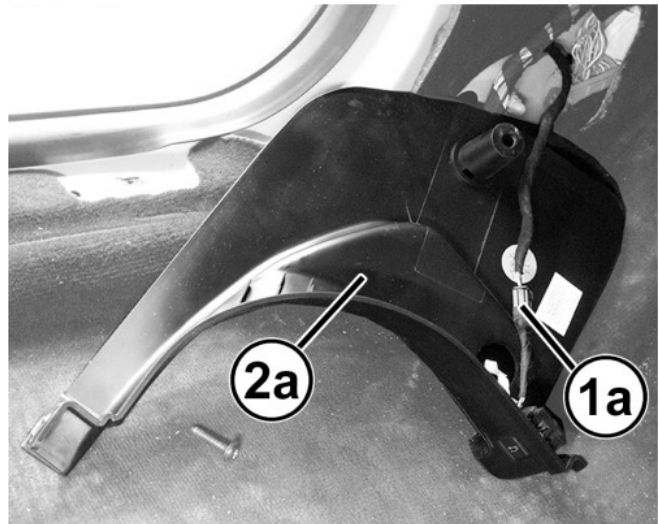
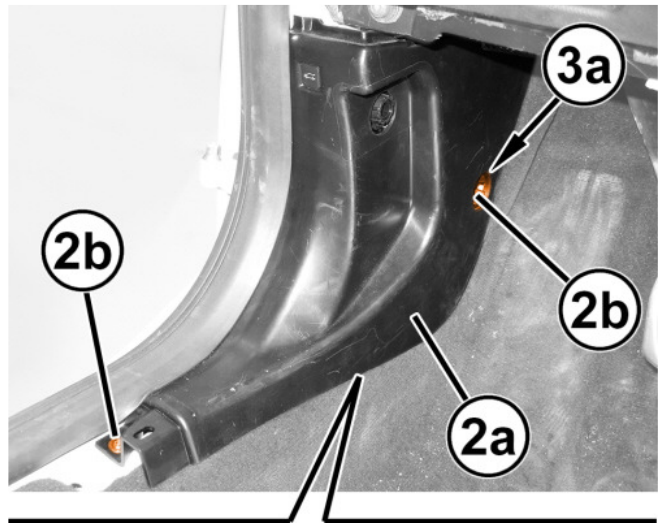
3. Remove the screw cover (3a) then the screws (2b).



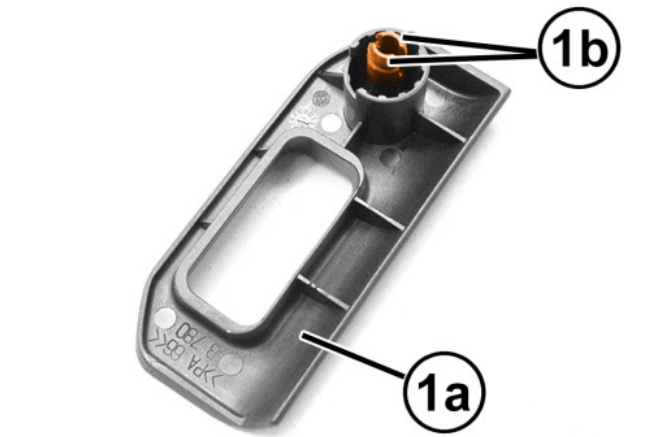
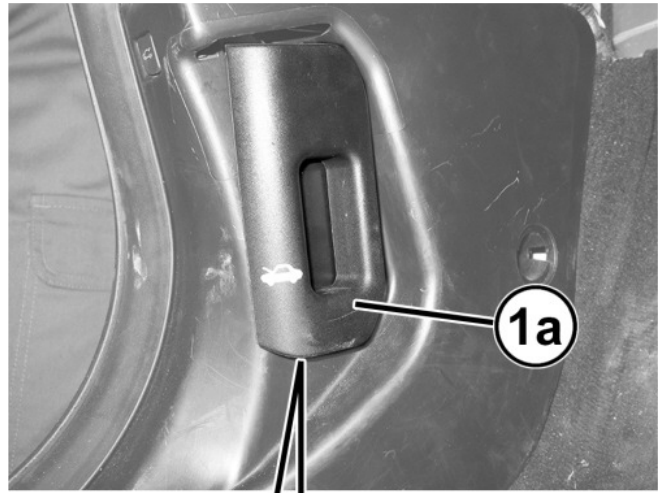
4. Pull the cowl side trim panel (2a) out and disconnect the wire harness connector (1a).

INSTALLATION

1. Connect the wire harness connector (1a).
2. Position the cowl side trim panel (2a), then install the screws (2b).



3. Install the hood release lever (1a).



4. Position the front door sill scuff plate (1a), then push forward to engage the retaining clips.

